

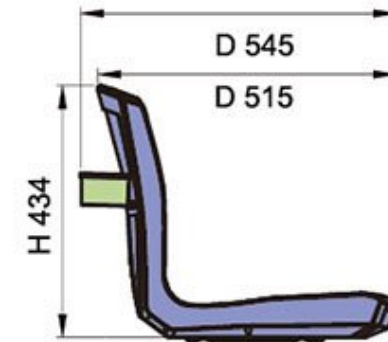
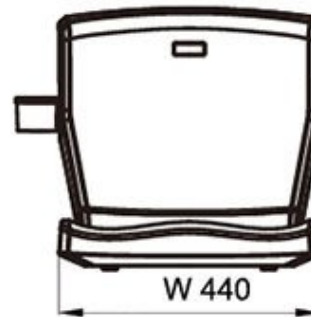


OneGlobal  
DEVELOPMENT INC.

***STADIUM SEATING SOLUTIONS***

# Bleacher Chairs

# HILO Series



## Specifications

Material: PP

Material Standards: anti-UV, anti-aging, and fire resistance

Workmanship: blow molding

Type: Bucket seat

Indoor/Outdoor: both

Seat Width: 410mm+-5mm

Seat Centres:  $\geq 430$ mm

Seat Backrest: 330mm+-5mm

## Brackets:

Hot-dip galvanized Steel (Independently mount)

Aluminum alloy (Beam mount)

## Installation:

Beam mount

Floor mounted

Riser/Wall-mounted

Independently mount

Riser/Wall-mounted

Simple mounted

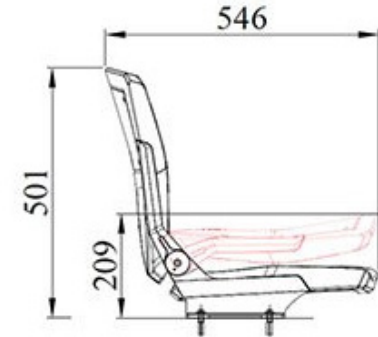
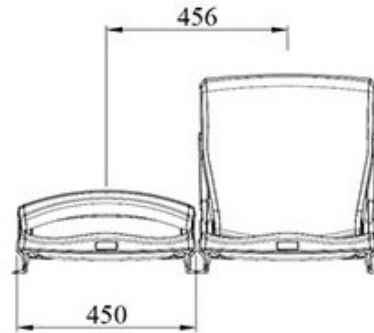
## Options:

Advertisement board

Cup Holder

# Folding Retractable Seating

# HILO Series



## Specifications

Material: High-density polyethylene(HDPE)

Material Standards: Anti-weathering, Anti-Fire, Anti-UV, High and low temperature.

Type: Tip-up

Fold Mechanism: Spring folding

Size: Width:440±5mm; Depth:546±5mm;

Height:50±5mm; C/C: ≥457mm.

## Installation:

Deck front mounting

## Options:

Seat Number

Cup Holder

Add Plate

## Brackets:

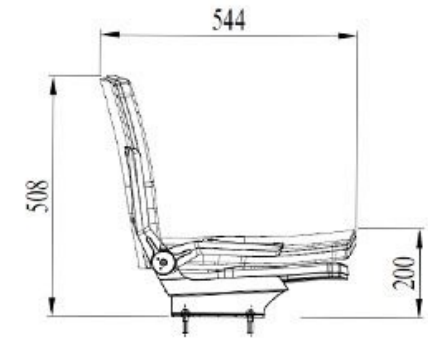
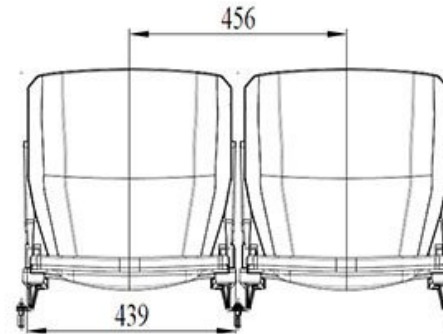
Material: Steel

Surface treatment: Powder coating/ Hot Galvanized.

Material Standards: Impact resistant, adhesion, Salt spray resistance, Heat resistance

## Wooden Fold-Down Chairs

## HILO Series



### Specifications

Material: Eucalyptus

Workmanship: Hot pressing integral molding

Material Standards: Anti-weathering, Anti-Fire, Anti-UV,

Type: Tip up

Fold Mechanism: Spring folding

Size: Width:440±5mm; Depth:545±5mm;

Height:50±5mm; C/C: ≥457mm.

### Brackets:

Material: Steel/Aluminum

Surface treatment: Powder coating/ Hot Galvanized.

Material Standards: Impact resistant, adhesion, Salt spray resistance, Heat resistance

### Installation:

Deck front mounting

### Option:

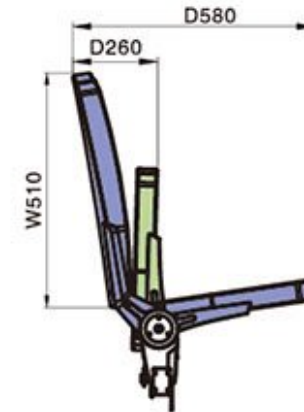
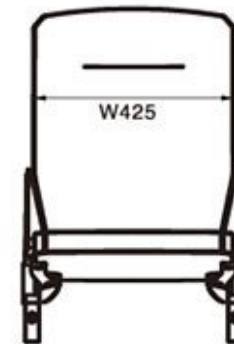
Seat Number

Cup Holder

Add Plate

## Fabric/Leather Folding Seats With Armrests

## HILO Series



### Specifications

Material: Fabric/Leather upholstery, wooden plate inner

Material Standards: Anti-weathering, Anti-Fire, Anti-UV, High and low temperature.

Type: Tip-up

Fold Mechanism: Spring

Size: Width:427±5mm; Depth:2254±5mm(Close), 588±5mm(Open); C/C: ≥480mm.

Height:903±5mm(Riser mounting); 912±5mm(Floor mounting)

### Brackets:

Material: Steel /Alloy Aluminum

Surface treatment: Powder coating/ Hot Galvanized.

Material Standards: Impact resistant, adhesion, Salt spray resistance, Heat resistance

### Installation:

Beam mounting independently

### Options:

Seat Number

Cup Holder

Add Plate

Written board

## Cushioned Stadium Folding Chairs

HILO Series



### Specifications

Material: Fabric/Leather upholstery, covered wooden plate to support the backrest

Material Standards: Anti-weathering, Anti-Fire, Anti-UV, High and low temperature.

Type: Tip-up

Fold Mechanism: Spring

Size: Width:430±5mm; Depth:220±5mm(Close), 555±5mm(Open); Height:804±5mm(Riser mounting), 819±5mm(Floor mounting); C/C: ≥480mm.

### Brackets:

Material: Steel /Alloy Aluminum

Surface treatment: Powder coating/ Hot Galvanized.

Material Standards: Impact resistant, adhesion,

### Installation:

Beam mounting independently

### Options:

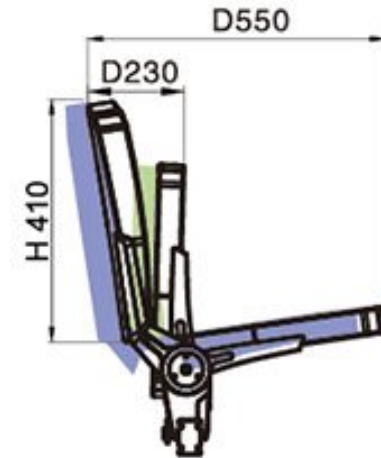
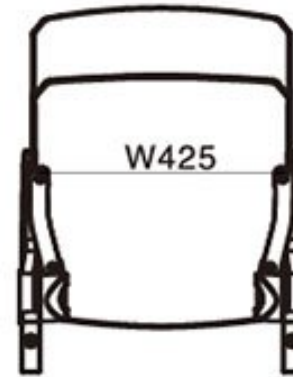
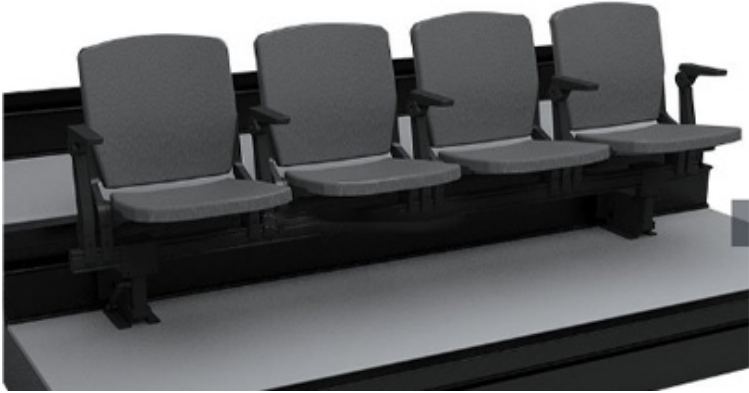
Seat Number

Cup Holder

Add Plate

## Vinyl PVC Textile Leather Coated Folding Seat

## HILO Series



### Specifications

Material: Fabric/Leather upholstery, wooden plate inner

Material Standards: Anti-weathering, Anti-Fire, Anti-UV, High and low temperature.

Type: Tip-up

Fold Mechanism: Spring

### Brackets:

Material: Steel /Alloy Aluminum

Surface treatment: Powder coating/ Hot Galvanized.

Material Standards: Impact resistant, adhesion, Salt spray resistance, Heat resistance

### Installation:

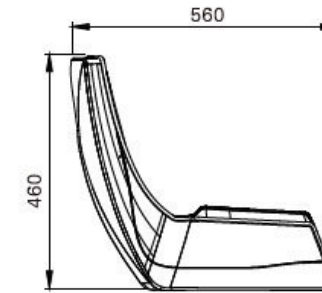
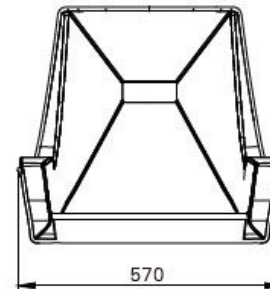
tBeam mounting independently

### Options:

Seat Number

Cup Holder

Add Plate



#### Specifications

Material: Shape PU Foam

Material Standards: Anti-weathering, Anti-Fire, High and low temperature.

Type: One Piece.

Fold Mechanism: N/A

Size: Width:570+-5mm; Depth:560+-5mm;

Height:460+-5mm; C/C: ≥570mm.

#### Bracket:

Material: Steel

Surface treatment: Powder coating/Hot Galvanized.

Material Standards: Impact resistant, adhesion, Salt spray resistance, Heat resistance.

#### Installation:

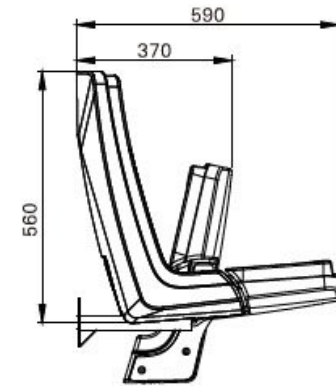
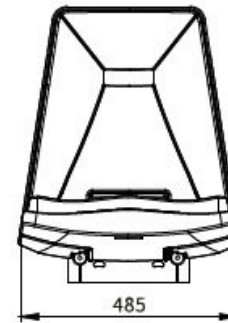
Single Mount

#### Options:

Seat Number

## Blow Molding PU Leather Upholstered Seats

## DIAMOND Series



### Specifications

Material: Shape PU Foam

Material Standards: Anti-weathering, Anti-Fire, High and low temperature.

Type: One Piece.

Fold Mechanism: N/A

Size: Width:570+-5mm; Depth:560+-5mm;

Height:460+-5mm; C/C: ≥570mm.

### Bracket:

Material: Steel

Surface treatment: Powder coating/Hot Galvanized.

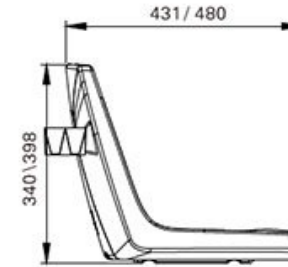
Material Standards: Impact resistant, adhesion, Salt spray resistance, Heat resistance.

### Installation:

Single Mount

### Options:

Seat Number



#### Specifications

Material: High-density polyethylene(HDPE)

Material Standards: Anti-weathering, Anti-Fire, Anti-UV,  
High and low temperature.

Type: One-piece

Fold Mechanism: N/A

Size: Width:430+-5mm; Depth:491+-5mm;

Height:391+-5mm; C/C: ≥480mm.

#### Brackets:

Material: Aluminum

Surface treatment: Powder coating

Material Standards: Impact resistant, adhesion, Salt  
spray resistance, Heat resistance.

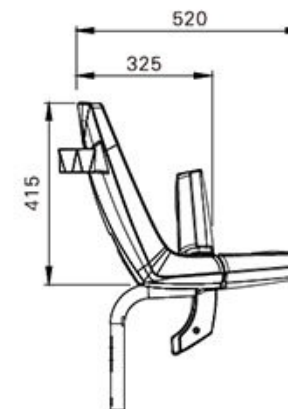
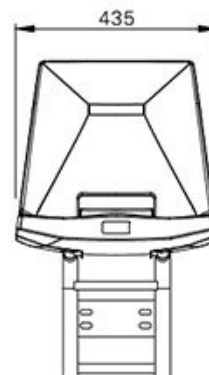
#### Installation:

Single Mount  
Beam Mount.

Options:  
Seat Number  
Cup Holder

## GMP Design Deluxe Stadium Chairs

## DIAMOND Series



### Specifications

Material: High-density polyethylene(HDPE)

Material Standards: Anti-weathering, Anti-Fire, Anti-UV, High and low temperature.

Type: Tip-Up

Fold Mechanism: Gravity

Size: Width:435+-5mm; Depth:310+-5mm(Closing) 520+-5mm(Opening); Height:415+-5mm; C/C: ≥480mm.t

### Brackets:

Material: Steel

Surface treatment: Powder coating/ Hot Galvanized.

Material Standards: Impact resistant, adhesion, Salt spray resistance, Heat resistance

### Installation:

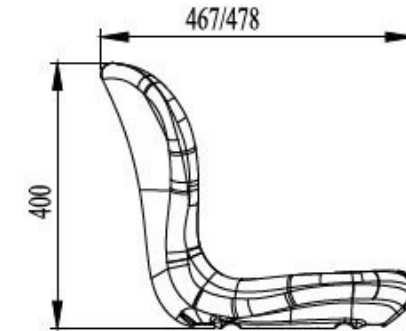
Single Mount

### Options:

Seat Number

Cup Holder

Add Plate



#### Specifications

Material: High-density polyethylene(HDPE)

Material Standards: Anti-weathering, Anti-Fire, Anti-UV;  
High and low temperature.

Type: One Piece.

Fold Mechanism: N/A.

Size: Width:440+-5mm; Depth:465+-5mm;

Height:400+-5mm; C/C:480-550mm.

#### Brackets:

Material: Aluminum Alloy Legs

Surface Treatment: powder coating.

Material Standards: Impact resistant, adhesion

#### Installation:

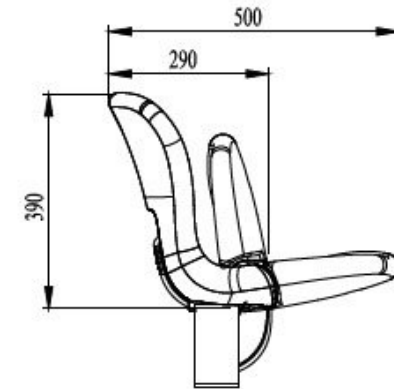
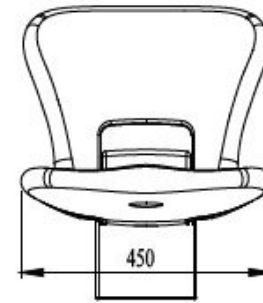
Single Mount  
Beam Mount.

#### Options

Seat Number

## Baseball Stands Stadium Fixed Durable Plastic Seating

## COOLIN Series



### Specifications

Material: High-density polyethylene(HDPE)

Material Standards: Anti-weathering, Anti-Fire, Anti-UV,  
High and low temperature.

Type: Tip-Up

Fold Mechanism: Gravity

### Brackets:

Material: Steel

Surface treatment: Powder coating/ Hot Galvanized.

Material Standards: Impact resistance, adhesion, Salt  
spray resistance, Heat resistance

### Installation:

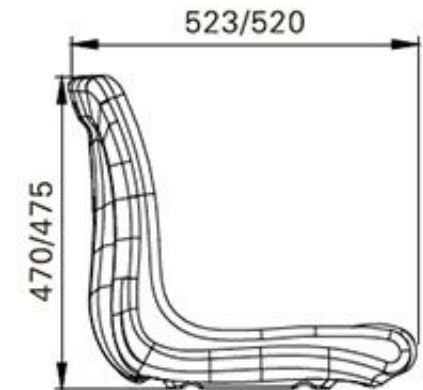
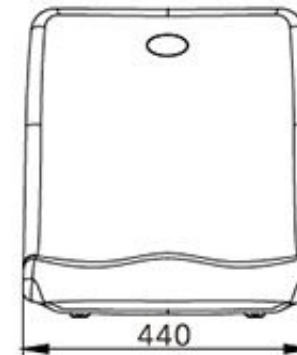
Single Mount

### Options

Seat Number

## Outdoor Sports Tribune Seating Audience Seats

## SALIN Series



### Specifications

Material: High-density polyethylene (HDPE)

Material Standards: Anti-weathering, Anti-Fire, Anti-UV,  
High and low temperature.

Type: Bucket

Folding Mechanism: N/A

Size: Width:440+-5mm; Depth:520+-5mm. (Opening);

Height:813+-5mm; C/C: ≥480mm.

### Brackets:

Material: Steel & Aluminum

Surface treatment: Powder coating & Hot Galvanizing

Material Standards: Impact resistant, adhesion, Salt  
spray resistance, Heat resistance

### Installation:

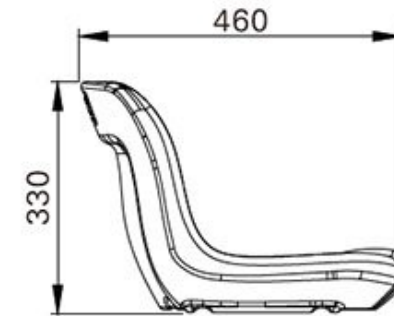
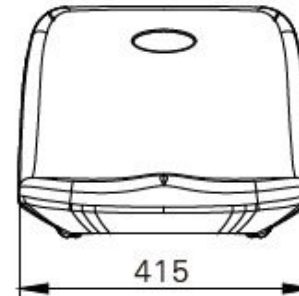
Floor mounting

### Options

Seat Number

## Comfortable Lightweight Stadium Seating Professional Sports

## SALIN Series



### Specifications

Material: High-density polyethylene (HDPE)

Material Standards: Anti-weathering, Anti-Fire, Anti-UV, High and low temperature.

Type: Bucket

Folding Mechanism: N/A

Size: Width:415+/-5mm; Depth:460+/-5mm. (Opening);

Height:670+/-5mm; C/C: ≥480mm.

### Brackets:

Material: Steel & Aluminum

Surface treatment: Powder coating & Hot Galvanizing

Material Standards: Impact resistant, adhesion, Salt spray resistance, Heat resistance

### Installation:

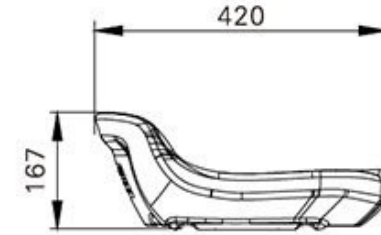
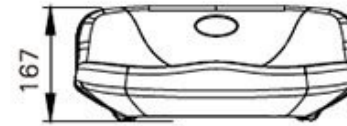
Floor mounting

### Options

Seat Number

## Blow Molding Nondeformable Plastic Seating Outdoor Stand

## SALIN Series



### Specifications

Material: High-density polyethylene (HDPE)

Material Standards: Anti-weathering, Anti-Fire, Anti-UV, High and low temperature.

Type: Bucket

Folding Mechanism: N/A

Size: Width:415+/-5mm; Depth:420+/-5mm(Opening); Height:510+/-5mm; C/C: ≥480mm.

### Brackets:

Material: Steel & Aluminum

Surface treatment: Powder coating & Hot Galvanizing

Material Standards: Impact resistant, adhesion, Salt spray resistance, Heat resistance

### Installation:

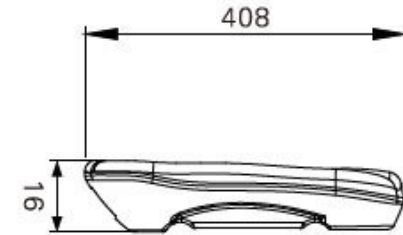
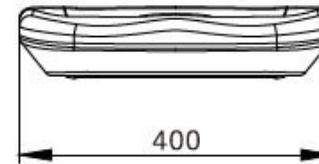
Floor mounting

### Options:

Seat Number

## Outdoor Seat Without Backrest Metal Bleacher Seats

## SALIN Series



### Specifications

Material: High-density polyethylene (HDPE)

Material Standards: Anti-weathering, Anti-Fire, Anti-UV,  
High and low temperature.

Type: Bucket

Folding Mechanism: N/A

Size: Width:400+-5mm; Depth:408+-5mm(Opening);

Height:420+-5mm; C/C: ≥480mm.

### Installation:

Floor mounting

### Options:

Seat Number

### Brackets:

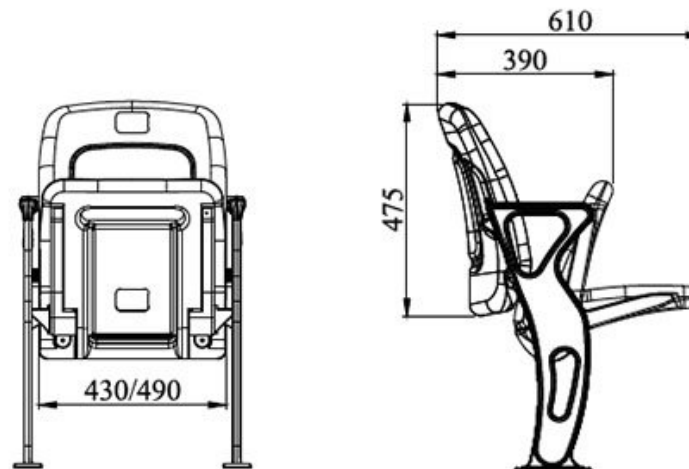
Material: Steel & Aluminum

Surface treatment: Powder coating & Hot Galvanizing

Material Standards: Impact resistant, adhesion, Salt  
spray resistance, Heat resistance

## Bleacher Seats With Backs And Armrests Foldable Fixed Seat

## KOOK Series



### Specifications

Material: High-density polyethylene (HDPE)

Material Standards: Anti-weathering, Anti-Fire, Anti-UV, High and low temperature.

Type: Tip-Up

Folding Mechanism: Spring Tip-Up.

Size: Width:490+-5mm; Depth:390+-5mm(Closing), 610+-5mm(Opening); Height:840+-5mm; C/C: ≥480mm

### Brackets:

Material: Aluminum

Surface treatment: Powder coating

Material Standards: Impact resistant, adhesion, Salt spray resistance, Heat resistance

### Installation:

Floor mounting

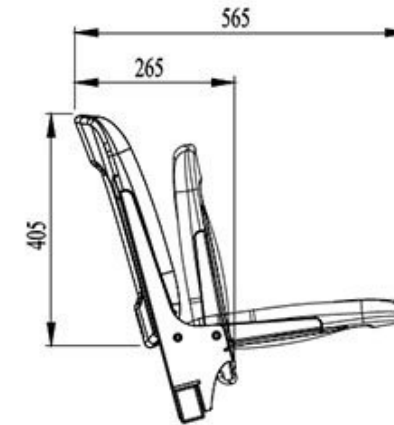
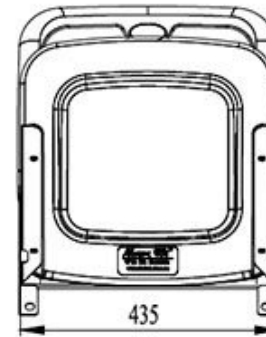
### Options:

Seat Number

ADs Plate

## Auditorium Retractable Seating System Gala Chair

## KOOK Series



### Specifications

Material: High-density polyethylene (HDPE)

Material Standards: Anti-weathering, Anti-Fire, Anti-UV, High and low temperature.

Type: Tip-Up

Folding Mechanism: Spring Tip-Up.

Size: Width:435+-5mm; Depth:265+-5mm

(Closing)565+-5mm(Opening); Height:755+-5mm;

C/C: ≥480mm.

### Brackets:

Material: Steel

Surface treatment: Powder coating

Material Standards: Impact resistant, adhesion, Salt spray resistance, Heat resistance

### Installation:

Beam Mount

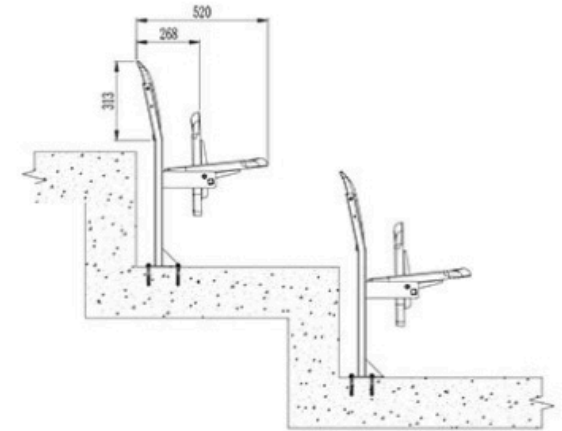
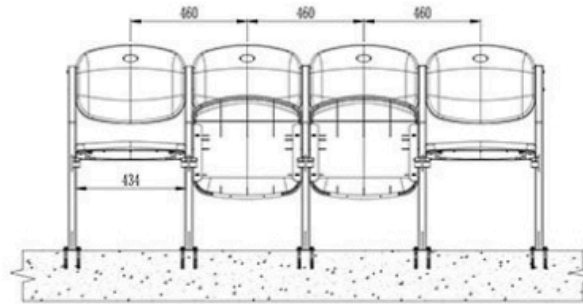
### Options:

Seat Number

ADs Plate

# Plastic Clamshell Stadium Seats

# SHINE Series



## Specifications

Material: PP

Material Standards: Anti-weathering, Anti-Fire, Anti-UV, High and low temperature.

Type: Tip-Up

Fold Mechanism: Gravity

Size: Width:434+-5mm; Depth:268+-5mm(Closing)

520+-5mm(Opening); Height:812+-5mm; C/C: 460mm.

## Brackets:

Material: Steel

Surface treatment: Powder coating/ Hot Galvanized.

Material Standards: Impact resistant, adhesion, Salt spray resistance, Heat resistance

## Installation:

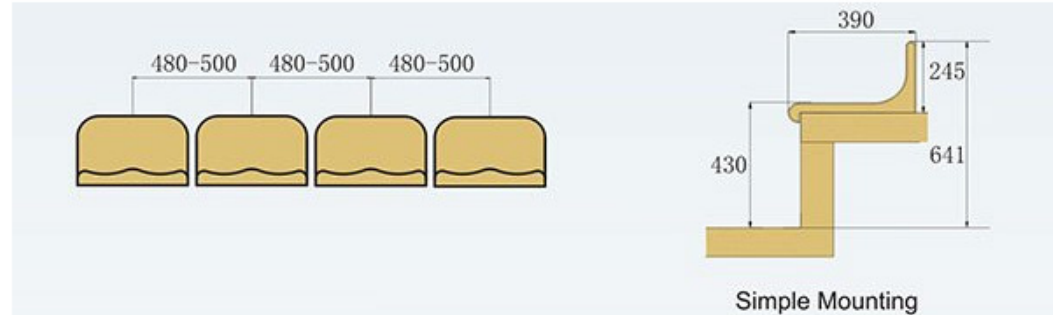
Single Mount

Options:

Seat Number

# Theater Seating Retractable Seating Moveable Metal Bleacher

# SHINE Series



## Specifications

Material: PP  
Material Standards: anti-aging & fire-resistance  
Workmanship: pour molding injection  
Fold Type: N/A  
Indoor/Outdoor: Indoor&Outdoor

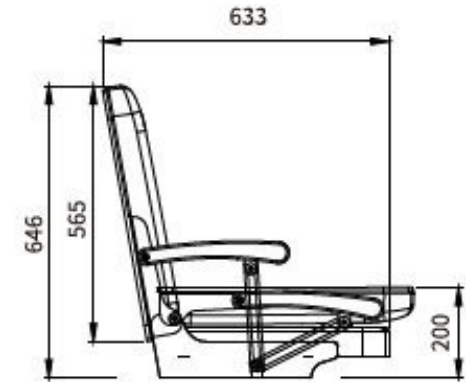
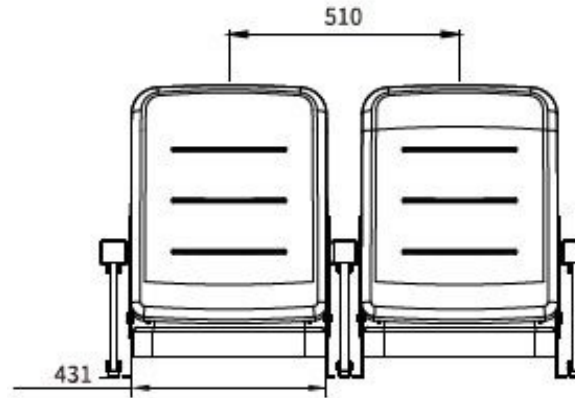
Installation:  
Front mount

Options:  
N/A

Brackets:  
N/A

## Indoor Comfortable Bleacher Seats Automatic Retractable Seating

## HISHINE Series



### Specifications

Material: Fabric/Leather upholstery, With wood cover.

Material Standards: Anti-weathering, Anti-Fire, Abrasion Resistance

Type: Folding

Size: Width:469+-5mm; Depth:200+-5mm (Closing)633+-5mm(Opening); Height:646+-5mm; C/C: ≥500mm.

Armrest:

Material: HDPE

Brackets:

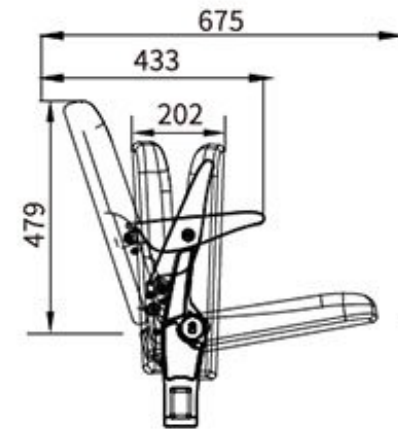
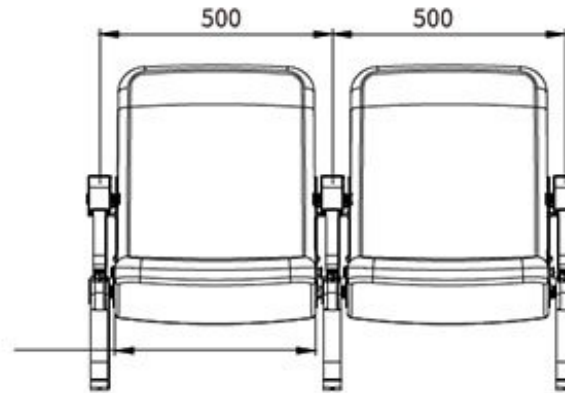
N/A

Installation:

Single Mount

Options:

Seat Number



#### Specifications

Material: Fabric/Leather upholstery, With Steel plate cover.

Material Standards: Anti-weathering, Anti-Fire, Abrasion Resistance

Type: Tip-Up

Fold Mechanism: Spring Tip Up.

Size: Width:431+-5mm; Depth:202+-5mm

(Closing)675+-5mm(Opening); Height:872+-5mm;

C/C:  $\geq 500$ mm.

#### Brackets:

Material: Steel

Surface treatment: Powder coating

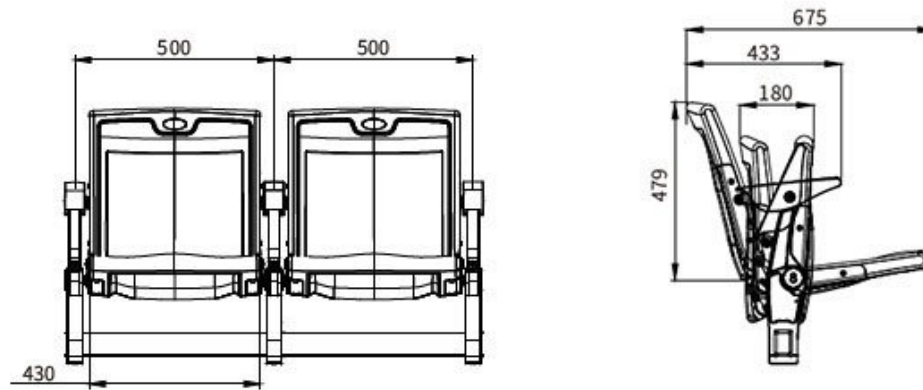
Material Standards: Impact resistant, adhesion, Salt spray resistance, Heat resistance

Installation:  
Beam Mount

Options:  
Seat Number  
Writing tablet

## Folding Stadium Chairs With Arms Writing Board

## SHINE Series



### Specifications

Material: HDPE

Material Standards: Anti-Fire; Anti-UV

Fold Type: tip-up

Fold Mechanism: Spring

Indoor/Outdoor: Indoor/Outdoor

Seat Width: 430mm

Seat Centres: 500mm

Brackets:

N/A

### Installation:

Floor mount/Riser Mount

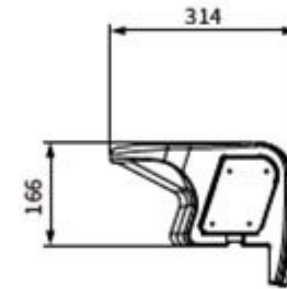
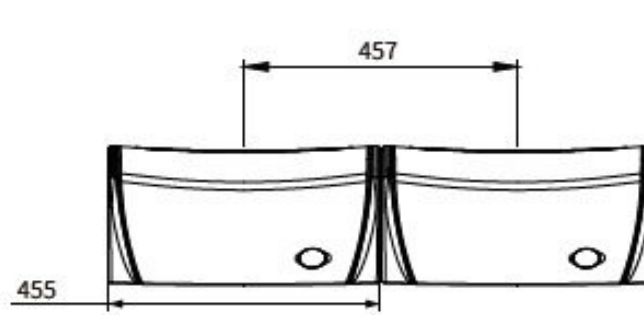
### Options:

Written board

Cupholder

# Multifunction Telescopic Seating

HISHINE Series



## Specifications

Material: High-density polyethylene(HDPE) with fabric upholstery

Material Standards: Anti-weathering, Anti-Fire, Anti-UV, High and low temperature.

Type: Bench seat

Fold Mechanism: N/A

Size: Width:455+-5mm; Depth:304+-5mm;

Height:166+-5mm; C/C: 457mm.

Brackets:

N/A

Installation:

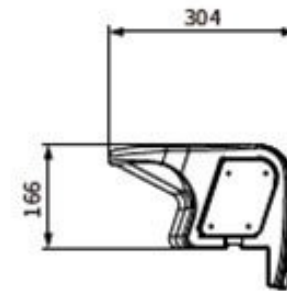
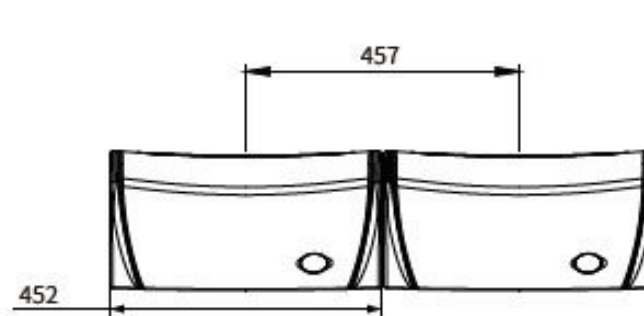
Single Mount

Options:

Seat Number

## One Piece DHPE Blow Model

## HISHINE Series



### Specifications

Material: High-density polyethylene(HDPE)

Material Standards: Anti-weathering, Anti-Fire, Anti-UV,  
High and low temperature.

Type: Bench seat

Fold Mechanism: N/A

Size: Width:455+-5mm; Depth:304+-5mm;

Height:159+-5mm; C/C: 457mm.

Brackets:

N/A

Installation:

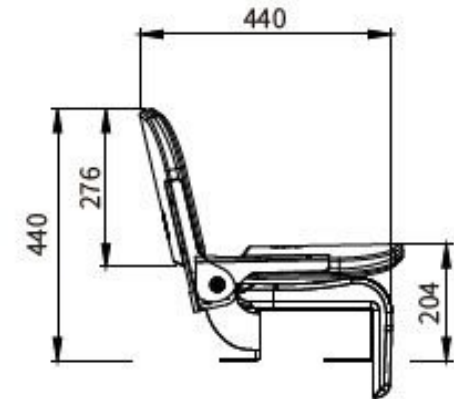
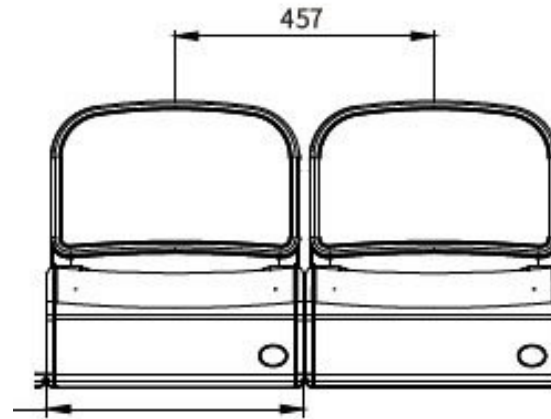
Single Mount

Options:

Seat Number

## Indoor Backrest

## HISHINE Series



### Specifications

Material: High-density polyethylene(HDPE)

Material Standards: Anti-weathering, Anti-Fire, Anti-UV, High and low temperature.

Type: Folding

Fold Mechanism: spring folding

Size: Width:452+-5mm; Depth:440+-5mm;

Height:440+-5mm; C/C:457mm.

### Brackets:

Material: steel

Surface treatment: Powder coating

Material Standards: Impact resistant, adhesion, Salt spray resistance, Heat resistance.

### Installation:

Single Mount

### Options:

Seat Number

## VIP SEAT



Size: 580 mm x 700 mm x 980 mm

Materials : Fabric

Seat & Back : Soft PU Foam+

Inner Material : Molded PU (Polyurethane) Foam

Side Panel : Plastic with Fabric Cover

Leg : Steel

Customization:

-Floor Mounted or movable

-book/drink holder



**OneGlobal**  
DEVELOPMENT INC.

**Contact Number:**

**Landline:**

**8571-6050 / 8584-6830 / 8287-4368**

**Visit our website and social media**

**[http:// oneglobal.ph](http://oneglobal.ph)**

**<http://playground.com.ph>**

**<http://www.facebook.com/oneglobalhrd>**

**Email:**

**[jones@oneglobal.ph](mailto:jones@oneglobal.ph)**

**[gideon@oneglobal.ph](mailto:gideon@oneglobal.ph)**

**[oneglobalsales@gmail.com](mailto:oneglobalsales@gmail.com)**

**[oneglobalsales3@gmail.com](mailto:oneglobalsales3@gmail.com)**

